



Butterfly Valve



Stainless Steel Flow Control Equipment for the
Food, Beverage, Dairy, Cosmetics, Biotechnology,
Pharmaceutical and Electronics Processing Industries

Top Line Butterfly Valves Sanitary Stainless Steel

Top Line's Butterfly Valves stand above others in sanitary and fine chemical fields. The units incorporate advanced design characteristics with the finest craftsmanship and construction. The value they afford is unsurpassed.

Top Line Butterfly Valves underwent extensive testing and field evaluation prior to introduction. Experience and contributions from numerous technical and practical sources have enabled Top Line to assume a deserved leadership position.



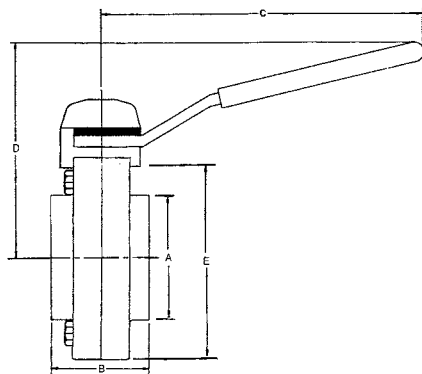
MECHANICAL SPECIFICATIONS

- Sizes - 1", 1-1/2", 2", 2-1/2", 3", 4" and 6"
- Materials – either type AISA 304 or Type AISA 316L stainless steel
- Seals available – Platinum Cured Silicone (standard), EPDM and Viton®
- Connections – clamp, butt weld and bevel seat (optional). Other connections available upon request
- Four Position Spring Loaded Flat Handle – open, closed and two intermediate settings.
- Pressure – 1" thru 4" to 145 PSI @ 68° F (20° C)
6" to 90 PSI @ 68°F (20 C)
- Vacuum – to 14.2 PSI @ 68° F (20° C)
- Temperature range - +15° to 200° F (-10° to 95° C)

IMPORTANT FEATURES

- 360 Degree Installation - valve may be installed in any position
- Design minimizes turbulence and maximizes fluid flow through
- Delrin Bushings assure extra smooth disc action
- Easy Field Service - few parts - no special tools
- Self Draining
- Wetted Surfaces have sanitary finish
- Air and Electric Actuators available
- Variety of Controls available
- USDA approved

Dimensional Specifications



"A"		"B"						"C"		"D"		"E"	
SIZE		WELD		CLAMP		BEVEL		W / C / B		W / C / B		W / C / B	
INCH	CM	INCH	CM	INCH	CM	INCH	CM	INCH	CM	INCH	CM	INCH	CM
1	2.540	1-7/8	4.763	3-1/2	8.890	3-1/2	8.890	7	17.78	3-7/8	9.843	3-1/8	7.937
1-1/2	3.810	1-7/8	4.763	3-1/2	8.890	3-5/16	8.414	7	17.78	4-1/8	10.478	3-1/8	7.937
2	5.080	2-1/16	5.245	3-3/4	9.525	3-1/2	8.890	7	17.78	4-3/8	11.113	3-7/8	9.906
2-1/2	6.350	2-1/8	5.397	3-13/16	9.684	3-13/16	9.684	7-1/2	19.05	4-5/8	11.748	4-5/8	11.684
3	7.620	2-7/16	6.191	4-1/8	10.478	4-1/4	10.795	7-1/2	19.05	4-7/8	12.383	5-3/16	13.208
4	10.160	3-1/8	7.937	4-13/16	12.224	5-3/16	13.176	7-1/2	19.05	5-3/8	13.653	6-11/16	17.018
6	15.240	3-1/8	7.937	6-1/8	15.558	N/A	N/A	7	17.78	6-3/8	16.193	8-1/2	21.600

"A" - Valve Size · "B" - Face to Face · "C" - Handle - Center to End · "D" - Center to Top of Handle · "E" - Body Diameter

Other Connections Available Upon Request
Exotic Materials Available

Replacement Seals
Standard: Platinum Cured Silicone
Optional: Viton® or EPDM



TOP LINE
PROCESS EQUIPMENT COMPANY

. . . the source for
all your product needs
in the process industries

Contact your Top Line Representative for Assistance
Office: P.O. Box 264 · Bradford, PA 16701
Plant: 21 Valley Hunt Drive · Lewis Run, PA 16738
Phone: 800-458-6095
814-362-4626
Fax: 814-362-4453

www.toplineonline.com