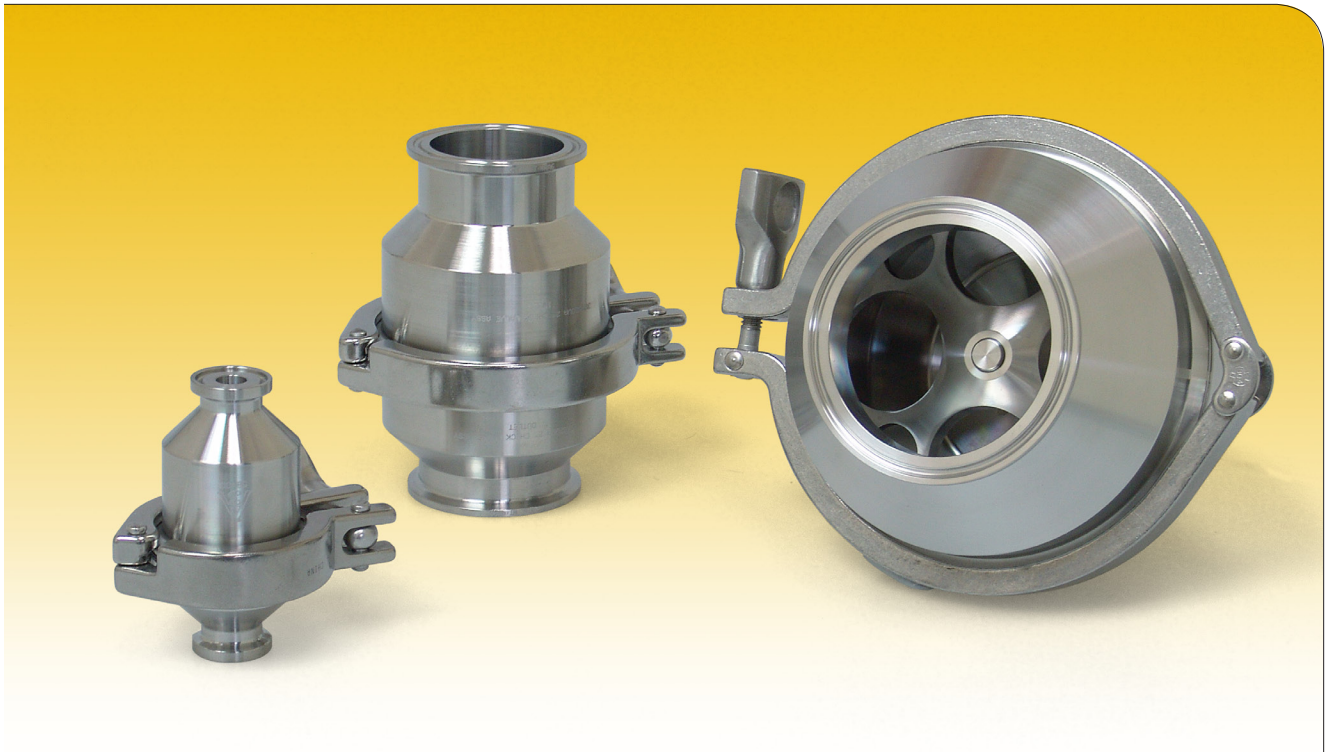




# Top-Flo<sup>®</sup> 3A Concentric Check Valve



Stainless Steel Flow Control Equipment for the  
Food, Beverage, Dairy, Cosmetics, Biotechnology,  
Pharmaceutical and Electronics Processing Industries

[www.toplineonline.com](http://www.toplineonline.com)

# Top-Flo® 3A Concentric Check Valve

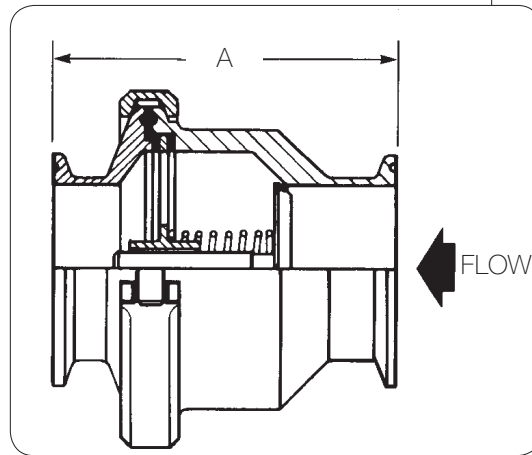
This finely crafted 316L stainless steel check valve offers maximum quality that meets all 3A standards. With a unique clamp design, a simple twist of the wing nut permits quick disassembly without tools. The stainless steel spring in this superior valve assures positive closure and smooth operation. This valve is designed for vertical as well as horizontal applications.

## FEATURES

- Suitable for C.I.P.
- Operating pressure to 150 psi
- Temperature from 30°F min. to 225°F max.
- Standard end connection-clamp type (butt weld & TI-Line upon request)
- Guide finger disc available upon request.
- Standard seals-FDA Viton (EPDM & other elastomers upon request)
- Internal finish-25 to 30ra average
- Material Test Reports provided upon request
- Eccentric Type available upon request
- For steam applications consult factory

SIZE	A	STOCK NO.
1/2"	3-1/2"	384505VA
3/4"	3-1/2"	384507VA
1"	4-1/8"	384510VA
1 1/2"	4-9/16"	384515VA
2"	5-1/16"	384520VA
2 1/2"	5-3/8"	384525VA
3"	6-1/8"	384530VA
4"	8-1/8"	384540VA
6"	8-1/8"	384560VA

T45MP  
Standard Disc  
Type Check  
Valve (3A)



SIZE	A	STOCK NO.
1/2"	3-1/2"	N/A
3/4"	3-1/2"	N/A
1"	4-1/8"	384510GFEA
1 1/2"	4-9/16"	384515GFEA
2"	5-1/16"	384520GFEA
2 1/2"	5-3/8"	384525GFEA
3"	6-1/8"	384530GFEA
4"	8-1/8"	384540GFEA
6"	8-1/8"	384560GFEA

T45MP  
Guide Finger  
Disc Type  
Check Valve

**TOP LINE**  
PROCESS EQUIPMENT COMPANY

... the source for  
all your product needs  
in the process industries

Contact your Top Line Representative for Assistance  
Office: P.O. Box 264 · Bradford, PA 16701  
Plant: 21 Valley Hunt Drive · Lewis Run, PA 16738  
Phone: 800-458-6095  
814-362-4626  
Fax: 814-362-4453

[www.toplineonline.com](http://www.toplineonline.com)