



Sanitary Sight Glasses



Stainless Steel Flow Control Equipment for the
Food, Beverage, Dairy, Cosmetics, Biotechnology,
Pharmaceutical and Electronics Processing Industries

Sanitary Sight Glasses

Top Line's In-Line sight glasses were engineered to be the best in the industry. The bolt style allows for fast, continuous inspection from all angles. The flange style sight glass incorporates a large viewing window for easy flow inspection. Top Line In-Line sight glasses are available in sizes 1/2" to 4".

Features:

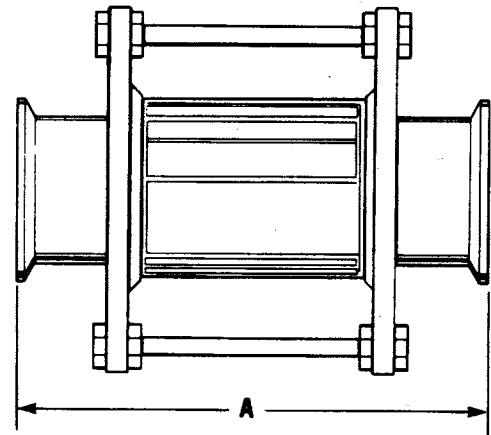
- Clear acrylic tube insert
- Constructed of 304 or 316L stainless steel
- Clamp end connections - standard
- FDA white buna gaskets - standard
- Suitable for CIP and fully drainable

Options:

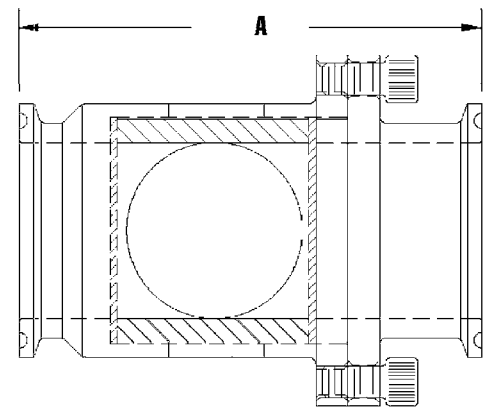
- Pyrex® glass insert
- Shielded bolt style - clear acrylic protective shell providing additional protection from falling objects
- Bevel seat, TI-Line, and weld connections available upon request
- FDA EPDM or FDA Viton gaskets upon request

Size (Tube O.D.)	Dims. A	Top Line Part #	
		Bolt Style	Bolt Style w/Shield
1/2"	n/a	n/a	n/a
3/4"	n/a	n/a	n/a
1"	5-7/8"	321910B	321910BSG
1-1/2"	5-7/8"	321915B	321915BSG
2"	5-7/8"	321920B	321920BSG
2-1/2"	6-3/8"	321925B	321925BSG
3"	7-1/2"	321930B	321930BSG
4"	7-5/8"	321940B	321940BSG

*for 316L, change "2" to "8"



Size (Tube O.D.)	Dims. A	Top Line Part # Flange Style
1/2"	3"	381905C
3/4"	3"	381907C
1"	3-5/8"	381907C
1-1/2"	3-5/8"	381915C
2"	3-5/8"	381920C
2-1/2"	3-5/8"	381925C
3"	3-5/8"	381930C
4"	3-5/8"	381940C



. . . the source for
all your product needs
in the process industries

Contact your Top Line Representative for Assistance
Office: P.O. Box 264 · Bradford, PA 16701

Plant: 21 Valley Hunt Drive · Lewis Run, PA 16738

Phone: 800-458-6095

814-362-4626

Fax: 814-362-4453

www.toplineonline.com