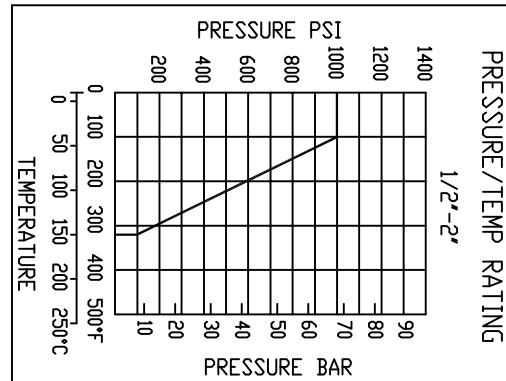
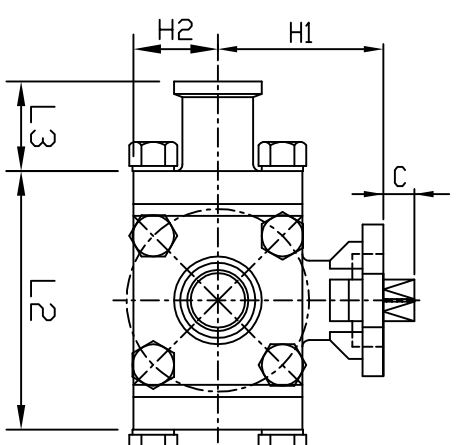
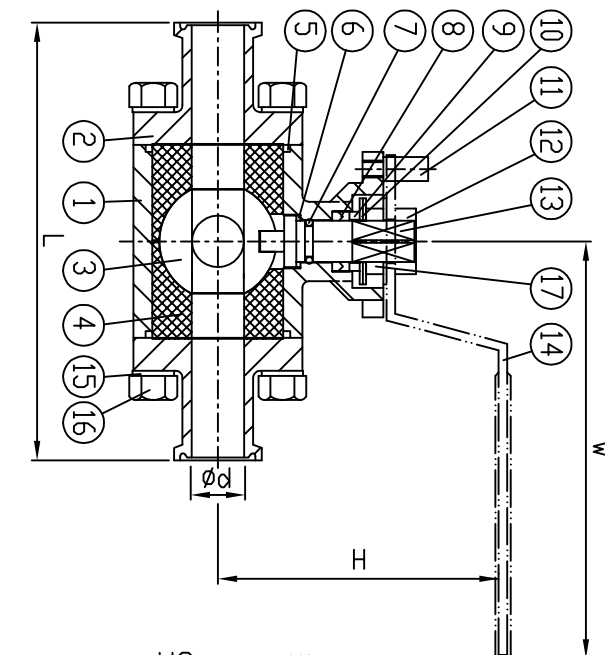


T PORT
CLAMP-3853XXTEF
WELD-3853XXTEF

L PORT
CLAMP-3863XXTEF
WELD-3863XXTEF



MATERIAL OF CONSTRUCTION				
ITEM	PARTS	MATERIAL	QTY	
1	BODY	A351-CF8M	1	
2	CAP	A351-CF8M	4	
3	BALL	A351-CF8M	1	
4	SEAT	PTFE	4	
5	GASKET	PTFE	2	
6	THRUST WASHER	PTFE	1	
7	O-RING	FDA VITON	1	
8	STEM PACKING	PTFE	1	
9	RING	AISI 316	1	
10	BEVEL WASHER	AISI 301	2	
11	STDP PIN	AISI 316	1	
12	NUT	AISI 304	1	
13	STEM	AISI 316	1	
14	HANDLE	AISI 304	1	
15	SPRING WASHER	AISI 304	16	
16	BOLT	AISI 304	16	
17	SPACER	AISI 304	1	
18	NUT	AISI 304	1	

DIMENSION (INCHES)														
SIZE	DN	ISD-5211	W	H	H1	C	L	φd	L1	L2	L3	H2	R	TORQUE IN/LBS
1/2"	15	F03/F04	4.76	3.07	1.75	0.35	4.65	0.37	3.58	2.66	0.92	0.93	0.35(9MM)	79
3/4"	20	F03/F04	4.76	3.23	1.89	0.35	5.00	0.62	3.88	2.87	1.00	1.02	0.35(9MM)	85
1"	25	F04/F05	5.39	3.54	2.32	0.43	6.01	0.87	4.62	3.33	1.30	1.20	0.43(11MM)	110
1-1/2"	40	F05/F07	7.17	4.09	2.83	0.55	6.89	1.37	5.48	4.21	1.27	1.57	0.55(14MM)	290
2"	50	F05/F07	7.17	4.51	3.23	0.55	7.93	1.87	6.55	5.18	1.37	1.97	0.55(14MM)	680

DIN 3337
ISD 5211

THREE-WAY MULTI-PORT SANITARY BALL VALVE
TRI-CLAMP ENDS STANDARD (BUTTWELD OPTIONAL)

FEATURES:

- *1000 WDG
- *LOCKABLE MANUAL VINYL COVERED HANDLE
- *INVESTMENT CAST STAINLESS STEEL CF8M
- *SURFACE FINISH ID: 25-30RA
- *FULL CAVITY FILLED VIRGIN PTFE SEATS
- *BALL: T-PORT OR L-PORT
- *ISD 5211 MOUNTING PAD FOR DIRECT MOUNT ACTUATOR
- *SIZE: 1/2" ~ 2" (SIZES 2 1/2" - 4" ON OTHER DWG. #2)

DRAWN	CHECKED BY	APPROVED BY	DRAWING NO.
6/06	BDG		TEFTBL-1
Information shown on this drawing is proprietary to Top Line Process Equipment and may not be reproduced or utilized in any manner without specific written permission from Top Line Process Equipment Company.			REV #
TOP LINE PROCESS EQUIPMENT			SERIES
			1